

REV	REVISION RECORD	ECN	BY	APVD	DATE
A	INITIAL RELEASE	14183	MAC	JB	6-26-96
B	PER ECN 14471	14471	MAC	JB	12/7/97
C	UPDATES PER ECN 501582	501582	RJB	RJB	6-11-98

NOTE: UNLESS OTHERWISE SPECIFIED

1. INTERPRET DRAWING IN ACCORDANCE WITH ANSI Y14.5-1982.
2. REMOVED
3. PITCH CONSISTENCY TO BE WITHIN ± 0.005 OVER 3.000 INCHES.
4. \triangle PART TO BE SUPPLIED ON A CONTINUOUS REEL.
5. ALL DIMENSIONS APPLY AFTER PLATING.

PART NUMBER BREAKDOWN

- 0 = UNDER 1 INCH OAL.
- 1 = OVER 1 INCH OAL.

PIN SIZE

8-50

OVERALL LENGTH "L"

PIN LENGTH "P"
ABOVE STAR

FINISH VARIATIONS

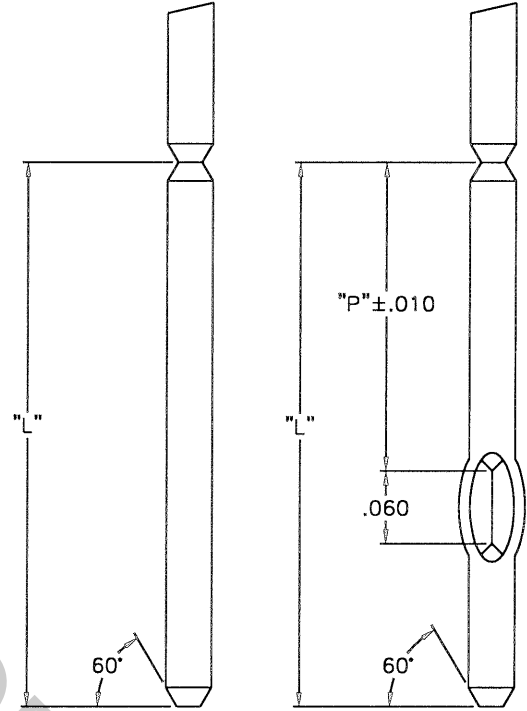
- AA = TIN/LEAD .000120 MIN OVER NICKEL
- BB = GOLD PLATE .000005 OVER NICKEL
- CC = GOLD PLATE .000010 OVER NICKEL
- WW = GOLD PLATE .000015 OVER NICKEL
- DD = GOLD PLATE .000020 OVER NICKEL
- EE = GOLD PLATE .000030 OVER NICKEL
- FF = GOLD .000030 OVER Pd-Ni .000012 OVER NICKEL
- NN = NICKEL PLATE .000050
- RR = UNPLATED

MATERIAL

- 1 = C10200 COPPER ALLOY, FULL HARD
- 2 = C26000 BRASS, 3/4 HARD
- 5 = C51000 PHOSPHOR BRONZE, 3/4 HARD
- 7 = C72500 COPPER/NICKEL/TIN ALLOY

PIN TYPE
(SEE STAR DETAIL)

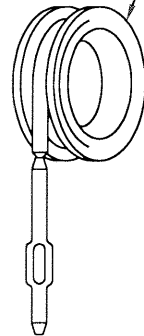
- 4 = ROUND PIN
- 5 = ROUND PIN WITH STANDARD STAR



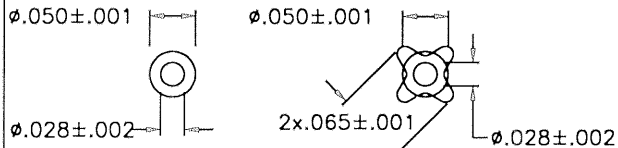
PIN WITH NO STAR

PIN WITH STAR

\triangle REELING ORIENTATION
AP/2 REEL
(24" O.D. x 20" I.D.)



CUSTOMER DRAWING



- 4 ROUND NO STAR
- 5 ROUND STD. STAR

STAR DETAIL

This drawing and the information set forth herein are the property of Autossplice, Inc. and are to be held in trust and confidence. Publication, duplication, disclosure, or use for any purpose not expressly authorized in writing by Autossplice, Inc. is prohibited.

ALL DIMENSIONS ARE IN INCHES	autossplice AUTOSPLICE INC. 10121 Barnes Canyon Road San Diego, California 92121 (619) 535-0077	DESIGNED BY MAC M DATE 6-05-96
DECIMAL: XX = ±.01 XXX = ±.005	THIRD ANGLE PROJECTION	APPROVED BY J BIANCA DATE 6-05-96
ANGULAR: ±5°	TITLE AUTOPIN/2 DETAIL PART DRAWING	REV. C
	SIZE C PISCIA NO. 0AE89 ORDER NUMBER C8-50[4thru5]	WORLD: NONE CAD FILE NO. C08-504-SIX AND REV. SHEET 1 OF 1